

EURO F – 435A



Article: **435A0600**

Automotive thermal circuit breaker with automatic reset function
Extra low voltage wiring systems on all types of vehicles and marine craft
Blade terminals fitting into DIN rail universal terminal blocks EURO F2.5 e EURO F4 series
With terminal blocks EURO F2.5 series always add an end plate code 43584



GENERAL INFORMATION

Series	EURO F – 435A
Type	435A0600
Weight/Piece	3.6 g
Customs tariff	-
Catalog/Page	01/28
Colour	Green (housing cap)
Q.ty p.pck.	20
Q.ty p. box	-

TECHNICAL DATA / DIMENSIONS

Width	6 mm
Length	20 mm
Height	24 mm (+6.4 mm flat blade length)
Voltage rating	12VDC, autoreset
Current ratings	6 A
Ambient temperature °C	-40 ÷ 85
Insulating material	PA
Tabs (flat blade)	5,5x0,6 tin plated brass
Typical life	300 operations at ≤ 50 A
Breaking capacity I_{cn}	≥ 3 break operations at 150 A or ≥ 1 break operation at 2.000 A

GOGATEC GmbH
A-1220 Wien, Wagramer Straße 252
Tel.: +43 1 258 3 257-0 Fax - 17
info@gogatec.com www.gogatec.com



technische Änderungen vorbehalten

1/01/2011

EURO F – 435A



Article: **435A0800**

Automotive thermal circuit breaker with automatic reset function
Extra low voltage wiring systems on all types of vehicles and marine craft
Blade terminals fitting into DIN rail universal terminal blocks EURO F2.5 e EURO F4 series
With terminal blocks EURO F2.5 series always add an end plate code 43584



GENERAL INFORMATION

Series	EURO F – 435A
Type	435A0800
Weight/Piece	3.6 g
Customs tariff	-
Catalog/Page	01/28
Colour	Yellow (housing cap)
Q.ty p.pck.	20
Q.ty p. box	-

TECHNICAL DATA / DIMENSIONS

Width	6 mm
Length	20 mm
Height	24 mm (+6.4 mm flat blade length)
Voltage rating	12VDC, autoreset
Current ratings	8 A
Ambient temperature °C	-40 ÷ 85
Insulating material	PA
Tabs	5,5x0,6 tin plated brass
Typical life	300 operations at ≤ 50 A
Breaking capacity I_{cn}	≥ 3 break operations at 150 A or ≥ 1 break operation at 2.000 A

EURO F – 435A



Article: **435A1000**

Automotive thermal circuit breaker with automatic reset function
Extra low voltage wiring systems on all types of vehicles and marine craft
Blade terminals fitting into DIN rail universal terminal blocks EURO F2.5 e EURO F4 series
With terminal blocks EURO F2.5 series always add an end plate code 43584



GENERAL INFORMATION

Series	EURO F – 435A
Type	435A1000
Weight/Piece	3.6 g
Customs tariff	-
Catalog/Page	01/28
Colour	Red (housing cap)
Q.ty p.pck.	20
Q.ty p. box	-

TECHNICAL DATA / DIMENSIONS

Width	6 mm
Length	20 mm
Height	24 mm (+6.4 mm flat blade length)
Voltage rating	12VDC, autoreset
Current ratings	10 A
Ambient temperature °C	-40 ÷ 85
Insulating material	PA
Tabs (flat blade)	5,5x0,6 tin plated brass
Typical life	300 operations at ≤ 50 A
Breaking capacity I_{cn}	≥ 3 break operations at 150 A or ≥ 1 break operation at 2.000 A

GOGATEC GmbH
A-1220 Wien, Wagramer Straße 252
Tel.: +43 1 258 3 257-0 Fax - 17
info@gogatec.com www.gogatec.com



technische Änderungen vorbehalten

11/01/2011

EURO F – 435A



Article: **435A1500**

Automotive thermal circuit breaker with automatic reset function
Extra low voltage wiring systems on all types of vehicles and marine craft
Blade terminals fitting into DIN rail universal terminal blocks EURO F2.5 e EURO F4 series
With terminal blocks EURO F2.5 series always add an end plate code 43584



GENERAL INFORMATION

Series	EURO F – 435A
Type	435A1500
Weight/Piece	3.6 g
Customs tariff	-
Catalog/Page	01/28
Colour	Blue (housing cap)
Q.ty p.pck.	20
Q.ty p. box	-

TECHNICAL DATA / DIMENSIONS

Width	6 mm
Length	20 mm
Height	24 mm (+6.4 mm flat blade length)
Voltage rating	12VDC, autoreset
Current ratings	15 A
Ambient temperature °C	-40 ÷ 85
Insulating material	PA
Tabs	5,5x0,6 tin plated brass
Typical life	300 operations at ≤ 50 A
Breaking capacity I_{cn}	≥ 3 break operations at 150 A or ≥ 1 break operation at 2.000 A

GOGATEC GmbH
A-1220 Wien, Wagramer Straße 252
Tel.: +43 1 258 3 257-0 Fax - 17
info@gogatec.com www.gogatec.com



technische Änderungen vorbehalten

11/01/2011

EURO F – 435A



Article: **435A2500**

Automotive thermal circuit breaker with automatic reset function
Extra low voltage wiring systems on all types of vehicles and marine craft
Blade terminals fitting into DIN rail universal terminal blocks EURO F2.5 e EURO F4 series
With terminal blocks EURO F2.5 series always add an end plate code 43584



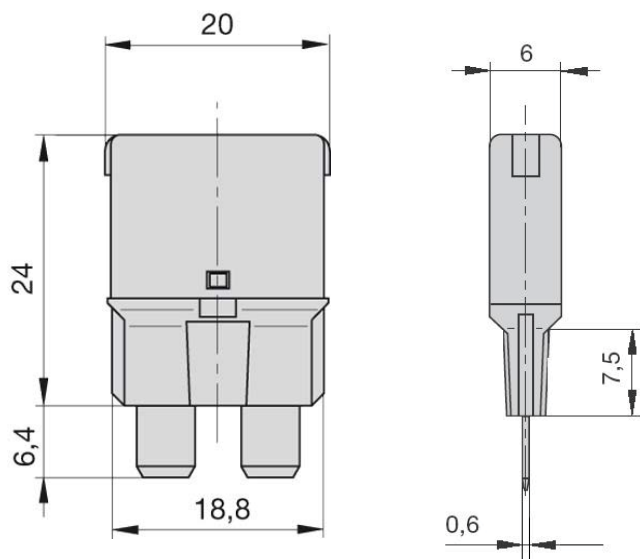
GENERAL INFORMATION

Series	EURO F – 435A
Type	435A2500
Weight/Piece	3.6 g
Customs tariff	-
Catalog/Page	01/28
Colour	White (housing cap)
Q.ty p.pck.	20
Q.ty p. box	-

TECHNICAL DATA / DIMENSIONS

Width	6 mm
Length	20 mm
Height	24 mm (+6.4 mm flat blade length)
Voltage rating	12VDC, autoreset
Current ratings	25 A
Ambient temperature °C	-40 ÷ 85
Insulating material	PA
Tabs	5,5x0,6 tin plated brass
Typical life	300 operations at ≤ 50 A
Breaking capacity I_{cn}	≥ 3 break operations at 150 A or ≥ 1 break operation at 2.000 A

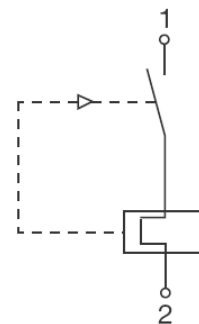
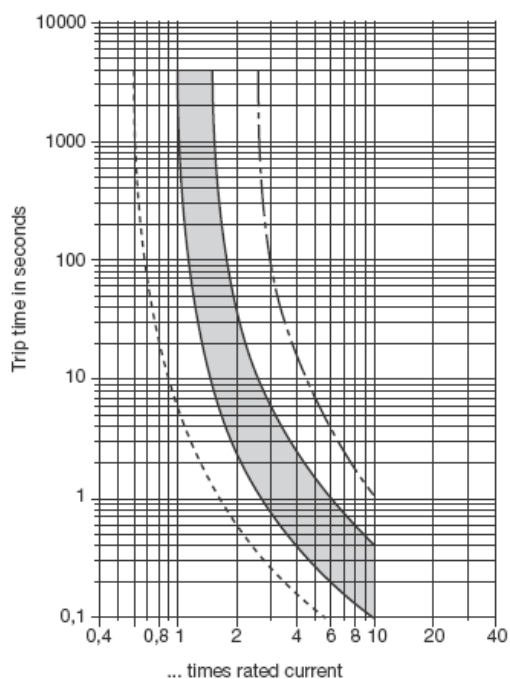
TECHNICAL DRAWINGS



TIME/CURRENT CHARACTERISTICS CURVE

INTERNAL CONNECTIONS DIAGRAMS

5...30 A



GOGATEC GmbH
 A-1220 Wien, Wagramer Straße 252
 Tel.: +43 1 258 3 257-0 Fax - 17
 info@gogatec.com www.gogatec.com

technische Änderungen vorbehalten



9/09/2011

EURO F – 435R



Article: **435R0600**

Resettable thermal automotive circuit breaker

Extra low voltage wiring systems on all types of vehicles and marine craft

Blade terminals fitting into DIN rail universal terminal blocks EURO F2.5 e EURO F4 series

With terminal blocks EURO F2.5 series always add an end plate code 43584



GENERAL INFORMATION

Series	EURO F – 435R
Type	435R0600
Weight/Piece	3.6 g
Customs tariff	-
Color	01/28
Color description	Green (housing cap)
Material	20
Material description	-

TECHNICAL DATA / DIMENSIONS

Width	6 mm
Length	20 mm
Height	24 mm (ON) / 28 mm (OFF) (+6.4 mm flat blade length)
Voltage rating	32VDC – with manual reset
Current ratings	6 A
Ambient temperature °C	-40 ÷ 85
Insulating material	PA
Typical life	300 operations at ≤ 50 A
Breaking capacity I_{cn}	≥ 3 break operations at 150 A or ≥ 1 break operation at 2.000 A

GOGATEC GmbH
A-1220 Wien, Wagramer Straße 252
Tel.: +43 1 258 3 257-0 Fax - 17
info@gogatec.com www.gogatec.com



technische Änderungen vorbehalten

12/01/2011

EURO F – 435R



Article: **435R0800**

Resettable thermal automotive circuit breaker

Extra low voltage wiring systems on all types of vehicles and marine craft

Blade terminals fitting into DIN rail universal terminal blocks EURO F2.5 e EURO F4 series

With terminal blocks EURO F2.5 series always add an end plate code 43584



GENERAL INFORMATION

Series	EURO F – 435R
Type	435R0800
Weight/Piece	3.6 g
Customs tariff	-
Catalog/Page	01/28
Colour	Yellow (housing cap)
Q.ty p.pck.	20
Q.ty p. box	-

TECHNICAL DATA / DIMENSIONS

Width	6 mm
Length	20 mm
Height	24 mm (ON) / 28 mm (OFF) (+6.4 mm flat blade length)
Voltage rating	32VDC – with manual reset
Current ratings	8 A
Ambient temperature °C	-40 ÷ 85
Insulating material	PA
Typical life	300 operations at ≤ 50 A
Breaking capacity I_{cn}	≥ 3 break operations at 150 A or ≥ 1 break operation at 2.000 A ≥ 1 break operations at 2.000 A

EURO F – 435R



Article: **435R1000**

Resettable thermal automotive circuit breaker

Extra low voltage wiring systems on all types of vehicles and marine craft

Blade terminals fitting into DIN rail universal terminal blocks EURO F2.5 e EURO F4 series

With terminal blocks EURO F2.5 series always add an end plate code 43584



GENERAL INFORMATION

Series	EURO F – 435R
Type	435R1000
Weight/Piece	3.6 g
Customs tariff	-
Catalog/Page	01/28
Colour	Red (housing cap)
Q.ty p.pck.	20
Q.ty p. box	-

TECHNICAL DATA / DIMENSIONS

Width	6 mm
Length	20 mm
Height	24 mm (ON) / 28 mm (OFF) (+6.4 mm flat blade length)
Voltage rating	32VDC – with manual reset
Current ratings	10 A
Ambient temperature °C	-40 ÷ 85
Insulating material	PA
Typical life	300 operations at ≤ 50 A
Breaking capacity I_{cn}	≥ 3 break operations at 150 A or ≥ 1 break operation at 2.000 A

GOGATEC GmbH
A-1220 Wien, Wagramer Straße 252
Tel.: +43 1 258 3 257-0 Fax - 17
info@gogatec.com www.gogatec.com



technische Änderungen vorbehalten

12/01/2011

EURO F – 435R



Article: **435R1500**

Resettable thermal automotive circuit breaker

Extra low voltage wiring systems on all types of vehicles and marine craft

Blade terminals fitting into DIN rail universal terminal blocks EURO F2.5 e EURO F4 series

With terminal blocks EURO F2.5 series always add an end plate code 43584



GENERAL INFORMATION

Series	EURO F – 435R
Type	435R1500
Weight/Piece	3.6 g
Customs tariff	-
Catalog/Page	01/28
Colour	Blue (housing cap)
Q.ty p.pck.	20
Q.ty p. box	-

TECHNICAL DATA / DIMENSIONS

Width	6 mm
Length	20 mm
Height	24 mm (ON) / 28 mm (OFF) (+6.4 mm flat blade length)
Voltage rating	32VDC – with manual reset
Current ratings	15 A
Ambient temperature °C	-40 ÷ 85
Insulating material	PA
Typical life	300 operations at ≤ 50 A
Breaking capacity I_{cn}	≥ 3 break operations at 150 A or ≥ 1 break operation at 2.000 A

GOGATEC GmbH
A-1220 Wien, Wagramer Straße 252
Tel.: +43 1 258 3 257-0 Fax - 17
info@gogatec.com www.gogatec.com



technische Änderungen vorbehalten

12/01/2011

EURO F – 435R



Article: **435R2500**

Resettable thermal automotive circuit breaker

Extra low voltage wiring systems on all types of vehicles and marine craft

Blade terminals fitting into DIN rail universal terminal blocks EURO F2.5 e EURO F4 series

With terminal blocks EURO F2.5 series always add an end plate code 43584



GENERAL INFORMATION

Series	EURO F – 435R
Type	435R2500
Weight/Piece	3.6 g
Customs tariff	-
Catalog/Page	01/28
Colour	White (housing cap)
Q.ty p.pck.	20
Q.ty p. box	-

TECHNICAL DATA / DIMENSIONS

Width	6 mm
Length	20 mm
Height	24 mm (ON) / 28 mm (OFF) (+6.4 mm flat blade length)
Voltage rating	32VDC – with manual releset
Current ratings	25 A
Ambient temperature °C	-40 ÷ 85
Insulating material	PA
Typical life	300 operations at ≤ 50 A
Breaking capacity I_{cn}	≥ 3 break operations at 150 A or ≥ 1 break operation at 2.000 A

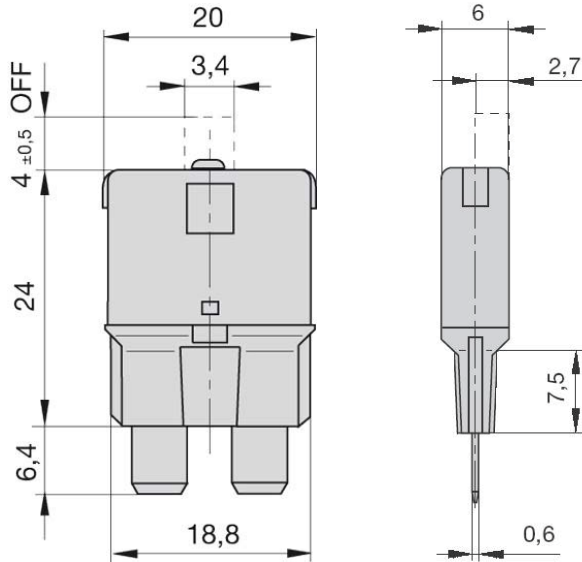
GOGATEC GmbH
A-1220 Wien, Wagramer Straße 252
Tel.: +43 1 258 3 257-0 Fax - 17
info@gogatec.com www.gogatec.com



technische Änderungen vorbehalten

12/01/2011

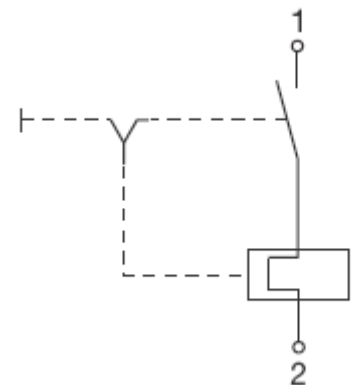
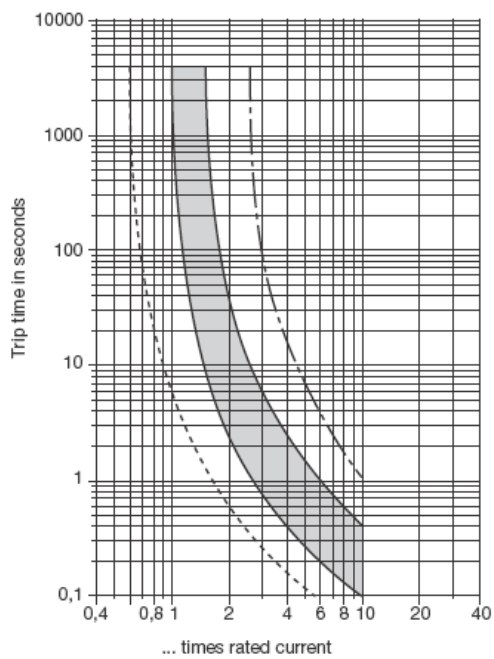
TECHNICAL DRAWINGS



TIME/CURRENT CHARACTERISTIC CURVE

INTERNAL CONNECTION DIAGRAMS

5...30 A



EURO F – 435S



Article: **435S0600**

Thermal automotive circuit breaker with manual release option
Extra low voltage wiring systems on all types of vehicles and marine craft
Blade terminals fitting into DIN rail universal terminal blocks EURO F4 series
With terminal blocks EURO F2.5 series always add an end plate code 43584



GENERAL INFORMATION

Series	EURO F – 435S
Type	435S0600
Weight/Piece	3.8 g
Customs tariff	-
Catalog/Page	01/28
Colour	Green (Actuator manual release)
Q.ty p.pck.	20
Q.ty p. box	-

TECHNICAL DATA / DIMENSIONS

Width	6 mm
Length	20 mm
Height	29.5 mm (+6.4 mm flat blade length)
Voltage rating	32VDC – with manual release facility
Current ratings	6 A
Ambient temperature °C	-40 ÷ 85
Insulating material	PA
Typical life	300 operations at ≤ 50 A
Breaking capacity I_{cn}	≥ 3 break operations at 150 A or ≥ 1 break operation at 2.000 A

GOGATEC GmbH
A-1220 Wien, Wagramer Straße 252
Tel.: +43 1 258 3 257-0 Fax - 17
info@gogatec.com www.gogatec.com



technische Änderungen vorbehalten

29/09/2011

EURO F – 435S



Article: **435S0800**

Thermal automotive circuit breaker with manual release option
Extra low voltage wiring systems on all types of vehicles and marine craft
Blade terminals fitting into DIN rail universal terminal blocks EURO F4 series
With terminal blocks EURO F2.5 series always add an end plate code 43584



GENERAL INFORMATION

Series	EURO F – 435S
Type	435S0800
Weight/Piece	3.8 g
Customs tariff	-
Catalog/Page	01/28
Colour	Yellow(Actuator manual release)
Q.ty p.pck.	20
Q.ty p. box	-

TECHNICAL DATA / DIMENSIONS

Width	6 mm
Length	20 mm
Height	29.5 mm (+6.4 mm flat blade length)
Voltage rating	32VDC – with manual release facility
Current ratings	8 A
Ambient temperature °C	-40 ÷ 85
Insulating material	PA
Typical life	300 operations at ≤ 50 A
Breaking capacity I_{cn}	≥ 3 break operations at 150 A or ≥ 1 break operation at 2.000 A

GOGATEC GmbH
A-1220 Wien, Wagramer Straße 252
Tel.: +43 1 258 3 257-0 Fax - 17
info@gogatec.com www.gogatec.com



technische Änderungen vorbehalten

29/09/2011

EURO F – 435S



Article: **435S1000**

Thermal automotive circuit breaker with manual release option
Extra low voltage wiring systems on all types of vehicles and marine craft
Blade terminals fitting into DIN rail universal terminal blocks EURO F4 series
With terminal blocks EURO F2.5 series always add an end plate code 43584



GENERAL INFORMATION

Series	EURO F – 435S
Type	435S1000
Weight/Piece	3.8 g
Customs tariff	-
Catalog/Page	01/28
Colour	Red (Actuator manual release)
Q.ty p.pck.	20
Q.ty p. box	-

TECHNICAL DATA / DIMENSIONS

Width	6 mm
Length	20 mm
Height	29.5 mm (+6.4 mm flat blade length)
Voltage rating	32VDC – with manual release facility
Current ratings	10 A
Ambient temperature °C	-40 ÷ 85
Insulating material	PA
Typical life	300 operations at ≤ 50 A
Breaking capacity I_{cn}	≥ 3 break operations at 150 A or ≥ 1 break operation at 2.000 A

GOGATEC GmbH
A-1220 Wien, Wagramer Straße 252
Tel.: +43 1 258 3 257-0 Fax - 17
info@gogatec.com www.gogatec.com



technische Änderungen vorbehalten

29/09/2011

EURO F – 435S



Article: **435S1500**

Thermal automotive circuit breaker with manual release option
Extra low voltage wiring systems on all types of vehicles and marine craft
Blade terminals fitting into DIN rail universal terminal blocks EURO F4 series
With terminal blocks EURO F2.5 series always add an end plate code 43584



GENERAL INFORMATION

Series	EURO F – 435S
Type	435S1500
Weight/Piece	3.8 g
Customs tariff	-
Catalog/Page	01/28
Colour	Blue (Actuator manual release)
Q.ty p.pck.	20
Q.ty p. box	-

TECHNICAL DATA / DIMENSIONS

Width	6 mm
Length	20 mm
Height	29.5 mm (+6.4 mm flat blade length)
Voltage rating	32VDC – with manual release facility
Current ratings	15 A
Ambient temperature °C	-40 ÷ 85
Insulating material	PA
Typical life	300 operations at ≤ 50 A
Breaking capacity I_{cn}	≥ 3 break operations at 150 A or ≥ 1 break operation at 2.000 A

EURO F – 435S



Article: **435S2500**

Thermal automotive circuit breaker with manual release option
Extra low voltage wiring systems on all types of vehicles and marine craft
Blade terminals fitting into DIN rail universal terminal blocks EURO F4 series
With terminal blocks EURO F2.5 series always add an end plate code 43584



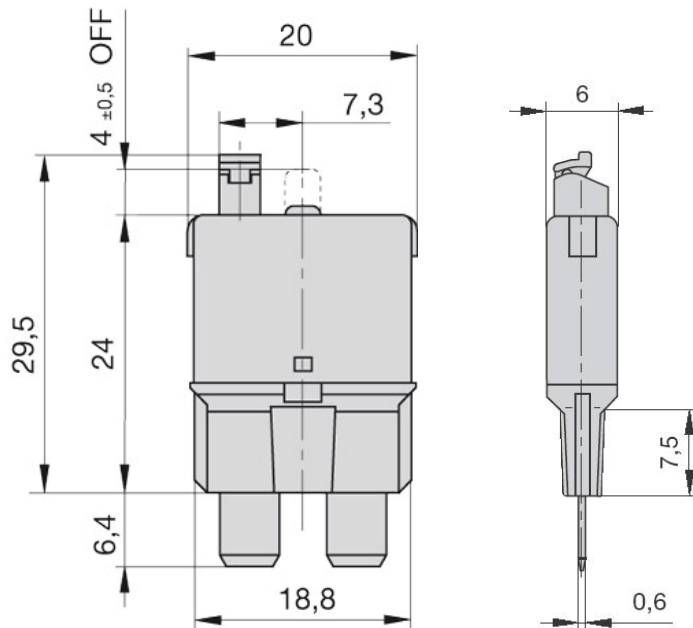
GENERAL INFORMATION

Series	EURO F – 435S
Type	435S2500
Weight/Piece	3.8 g
Customs tariff	-
Catalog/Page	01/28
Colour	White (Actuator manual release)
Q.ty p.pck.	20
Q.ty p. box	-

TECHNICAL DATA / DIMENSIONS

Width	6 mm
Length	20 mm
Height	29.5 mm (+6.4 mm flat blade length)
Voltage rating	32VDC – with manual release facility
Current ratings	25 A
Ambient temperature °C	-40 ÷ 85
Insulating material	PA
Typical life	300 operations at ≤ 50 A
Breaking capacity I_{cn}	≥ 3 break operations at 150 A or ≥ 1 break operation at 2.000 A

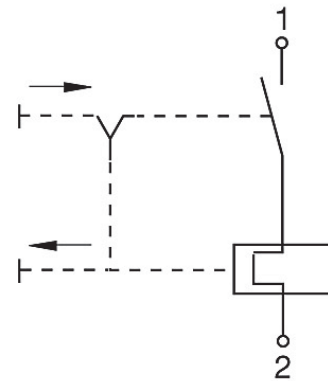
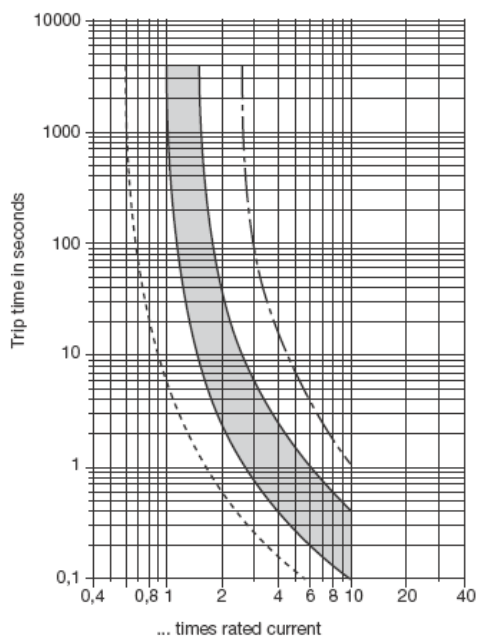
TECHNICAL DRAWINGS



IME/CURRENT CHARACTERISTIC CURVE

INTERNAL CONNECTION DIAGRAMS

5...30 A



EURO F – 435T

Article: **435T0025**

Miniaturised single pole thermal circuit breaker with switching function
(push–push actuation)
Blade terminals fitting into DIN rail universal terminal blocks EURO F4 series
– Add n° 2pcs spacers, code 43585



GENERAL INFORMATION

Series	EURO F – 435T
Type	435T0025
Weight/Piece	9.6 g
Customs tariff	-
Catalog/Page	01/28
Colour	Black
Q.ty p.pck.	20
Q.ty p. box	-

TECHNICAL DATA / DIMENSIONS

Width	8.2 mm
Length	24.4 mm
Height	55 mm (ON) / 58.7mm (OFF)
Voltage rating	250VAC – 65VDC
Current ratings	0.25 A
Ambient temperature °C	-20 ÷ 60
Insulating material	PA
Self-extinguishing degree acc. to UL94	V0
Typical life	6,000 operations at 1 x I _N (resistive) 3,000 operations at 1 x I _N (inductive) 500 operations at 2 x I _N (inductive)
Interrupting capacity I_{cn}	0.25 A 6 x I _N AC 250 V, DC 65 V 0.25 A 25 x I _N DC 30 V

APPROVALS

E320462



Voltage rating	250VAC – 72VDC
Current ratings	0.25 A

EURO F – 435T

Article: **435T0050**

Miniaturised single pole thermal circuit breaker with switching function
 (push–push actuation)
 Blade terminals fitting into DIN rail universal terminal blocks EURO F4 series
 – Add n° 2pcs spacers, code 43585



GENERAL INFORMATION

Series	EURO F – 435T
Type	435T0050
Weight/Piece	9.6 g
Customs tariff	-
Catalog/Page	01/28
Colour	Black
Q.ty p.pck.	20
Q.ty p. box	-

TECHNICAL DATA / DIMENSIONS

Width	8.2 mm
Length	24.4 mm
Height	55 mm (ON) / 58.7mm (OFF)
Voltage rating	250VAC – 65VDC
Current ratings	0.5 A
Ambient temperature °C	-20 ÷ 60
Insulating material	PA
Self-extinguishing degree acc. to UL94	V0
Typical life	6,000 operations at 1 x I _N (resistive) 3,000 operations at 1 x I _N (inductive) 500 operations at 2 x I _N (inductive)
Interrupting capacity I_{cn}	0.5 A 6 x I _N AC 250 V, DC 65 V 0.5 A 25 x I _N DC 30 V

APPROVALS

E320462



Voltage rating	250VAC – 72VDC
Current ratings	0.5 A

EURO F – 435T

Article: **435T0100**

Miniaturised single pole thermal circuit breaker with switching function
(push–push actuation)
Blade terminals fitting into DIN rail universal terminal blocks EURO F4 series
– Add n° 2pcs spacers, code 43585



GENERAL INFORMATION

Series	EURO F – 435T
Type	435T0100
Weight/Piece	9.6 g
Customs tariff	-
Catalog/Page	01/28
Colour	Black
Q.ty p.pck.	20
Q.ty p. box	-

TECHNICAL DATA / DIMENSIONS

Width	8.2 mm
Length	24.4 mm
Height	55 mm (ON) / 58.7mm (OFF)
Voltage rating	250VAC – 65VDC
Current ratings	1 A
Ambient temperature °C	-20 ÷ 60
Insulating material	PA
Self-extinguishing degree acc. to UL94	V0
Typical life	6,000 operations at 1 x I _N (resistive) 3,000 operations at 1 x I _N (inductive) 500 operations at 2 x I _N (inductive)
Interrupting capacity I_{cn}	1 A 6 x I _N AC 250 V, DC 65 V 1 A 10 x I _N DC 30 V

APPROVALS

E320462



Voltage rating	250VAC – 72VDC
Current ratings	1 A

EURO F – 435T

Article: **435T0200**

Miniaturised single pole thermal circuit breaker with switching function (push-push actuation)

Blade terminals fitting into DIN rail universal terminal blocks EURO F4 series

– Add n° 2pcs spacers, code 43585



GENERAL INFORMATION

Series	EURO F – 435T
Type	435T0200
Weight/Piece	9.6 g
Customs tariff	-
Catalog/Page	01/28
Colour	Black
Q.ty p.pck.	20
Q.ty p. box	-

TECHNICAL DATA / DIMENSIONS

Width	8.2 mm		
Length	24.4 mm		
Height	55 mm (ON) / 58.7mm (OFF)		
Voltage rating	250VAC – 65VDC		
Current ratings	2 A		
Ambient temperature °C	-20 ÷ 60		
Insulating material	PA		
Self-extinguishing degree acc. to UL94	V0		
Typical life	6,000 operations at 1 x I _N (resistive)		
	3,000 operations at 1 x I _N (inductive)		
	500 operations at 2 x I _N (inductive)		
Interrupting capacity I_{cn}	2 A	6 x I _N	AC 250 V, DC 65 V
	2 A	10 x I _N	DC 30 V

APPROVALS

E320462



Voltage rating	250VAC – 72VDC
Current ratings	2 A

EURO F – 435T

Article: **435T0300**

Miniaturised single pole thermal circuit breaker with switching function (push–push actuation)

Blade terminals fitting into DIN rail universal terminal blocks EURO F4 series

– Add n° 2pcs spacers, code 43585



GENERAL INFORMATION

Series	EURO F – 435T
Type	435T0300
Weight/Piece	9.6 g
Customs tariff	-
Catalog/Page	01/28
Colour	Black
Q.ty p.pck.	20
Q.ty p. box	-

TECHNICAL DATA / DIMENSIONS

Width	8.2 mm		
Length	24.4 mm		
Height	55 mm (ON) / 58.7mm (OFF)		
Voltage rating	250VAC – 65VDC		
Current ratings	3 A		
Ambient temperature °C	-20 ÷ 60		
Insulating material	PA		
Self-extinguishing degree acc. to UL94	V0		
Typical life	6,000 operations at 1 x I _N (resistive)		
	3,000 operations at 1 x I _N (inductive)		
	500 operations at 2 x I _N (inductive)		
Interrupting capacity I_{cn}	3 A	6 x I _N	AC 250 V, DC 65 V
	3 A	10 x I _N	DC 30 V

APPROVALS

E320462



Voltage rating	250VAC – 72VDC
Current ratings	3 A

EURO F – 435T

Article: **435T0400**

Miniaturised single pole thermal circuit breaker with switching function (push-push actuation)

Blade terminals fitting into DIN rail universal terminal blocks EURO F4 series
– Add n° 2pcs spacers, code 43585



GENERAL INFORMATION

Series	EURO F – 435T
Type	435T0400
Weight/Piece	9.6 g
Customs tariff	-
Catalog/Page	01/28
Colour	Black
Q.ty p.pck.	20
Q.ty p. box	-

TECHNICAL DATA / DIMENSIONS

Width	8.2 mm		
Length	24.4 mm		
Height	55 mm (ON) / 58.7mm (OFF)		
Voltage rating	250VAC – 65VDC		
Current ratings	4 A		
Ambient temperature °C	-20 ÷ 60		
Insulating material	PA		
Self-extinguishing degree acc. to UL94	V0		
Typical life	6,000 operations at 1 x I _N (resistive)		
	3,000 operations at 1 x I _N (inductive)		
	500 operations at 2 x I _N (inductive)		
Interrupting capacity I_{cn}	4 A	6 x I _N	AC 250 V, DC 65 V
	4 A	10 x I _N	DC 30 V

APPROVALS

E320462



Voltage rating	250VAC – 72VDC
Current ratings	4 A

EURO F – 435T

Article: **435T0600**

Miniaturised single pole thermal circuit breaker with switching function (push-push actuation)

Blade terminals fitting into DIN rail universal terminal blocks EURO F4 series
– Add n° 2pcs spacers, code 43585



GENERAL INFORMATION

Series	EURO F – 435T
Type	435T0600
Weight/Piece	9.6 g
Customs tariff	-
Catalog/Page	01/28
Colour	Black
Q.ty p.pck.	20
Q.ty p. box	-

TECHNICAL DATA / DIMENSIONS

Width	8.2 mm		
Length	24.4 mm		
Height	55 mm (ON) / 58.7mm (OFF)		
Voltage rating	250VAC – 65VDC		
Current ratings	6 A		
Ambient temperature °C	-20 ÷ 60		
Insulating material	PA		
Self-extinguishing degree acc. to UL94	V0		
Typical life	6,000 operations at 1 x I _N (resistive)		
	3,000 operations at 1 x I _N (inductive)		
	500 operations at 2 x I _N (inductive)		
Interrupting capacity I_{cn}	6 A	8 x I _N	AC 250 V, DC 65 V
	6 A	10 x I _N	DC 30 V

APPROVALS

E320462



Voltage rating	250VAC – 72VDC
Current ratings	6 A

EURO F – 435T

Article: **435T0800**

Miniaturised single pole thermal circuit breaker with switching function (push-push actuation)

Blade terminals fitting into DIN rail universal terminal blocks EURO F4 series

– Add n° 2pcs spacers, code 43585



GENERAL INFORMATION

Series	EURO F – 435T
Type	435T0800
Weight/Piece	9.6 g
Customs tariff	-
Catalog/Page	01/28
Colour	Black
Q.ty p.pck.	20
Q.ty p. box	-

TECHNICAL DATA / DIMENSIONS

Width	8.2 mm		
Length	24.4 mm		
Height	55 mm (ON) / 58.7mm (OFF)		
Voltage rating	250VAC – 65VDC		
Current ratings	8 A		
Ambient temperature °C	-20 ÷ 60		
Insulating material	PA		
Self-extinguishing degree acc. to UL94	V0		
Typical life	6,000 operations at 1 x I _N (resistive)		
	3,000 operations at 1 x I _N (inductive)		
	500 operations at 2 x I _N (inductive)		
Interrupting capacity I_{cn}	8 A	8 x I _N	AC 250 V, DC 65 V
	8 A	20 x I _N	DC 30 V

APPROVALS

E320462



Voltage rating	250VAC – 72VDC
Current ratings	8 A

EURO F – 435T

Article: **435T1000**

Miniaturised single pole thermal circuit breaker with switching function (push-push actuation)
Blade terminals fitting into DIN rail universal terminal blocks EURO F4 series
– Add n° 2pcs spacers, code 43585



GENERAL INFORMATION

Series	EURO F – 435T
Type	435T1000
Weight/Piece	9.6 g
Customs tariff	-
Catalog/Page	01/28
Colour	Black
Q.ty p.pck.	20
Q.ty p. box	-

TECHNICAL DATA / DIMENSIONS

Width	8.2 mm
Length	24.4 mm
Height	55 mm (ON) / 58.7mm (OFF)
Voltage rating	250VAC – 65VDC
Current ratings	10 A
Ambient temperature °C	-20 ÷ 60
Insulating material	PA
Self-extinguishing degree acc. to UL94	V0
Typical life	6,000 operations at 1 x I _N (resistive) 3,000 operations at 1 x I _N (inductive) 500 operations at 2 x I _N (inductive)
Interrupting capacity I_{cn}	10 A 8 x I _N AC 250 V, DC 65 V 10 A 20 x I _N DC 30 V

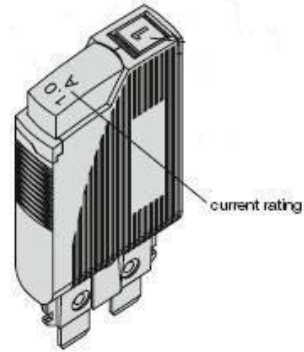
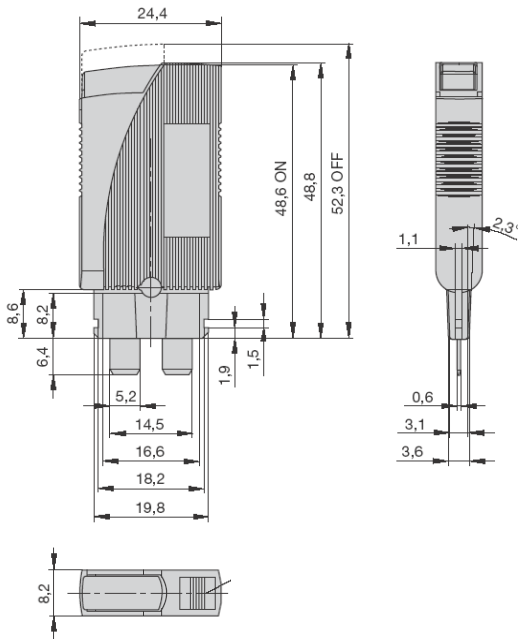
APPROVALS

E320462



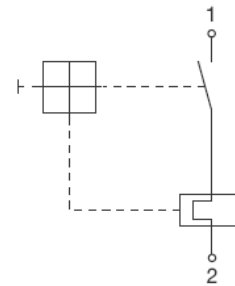
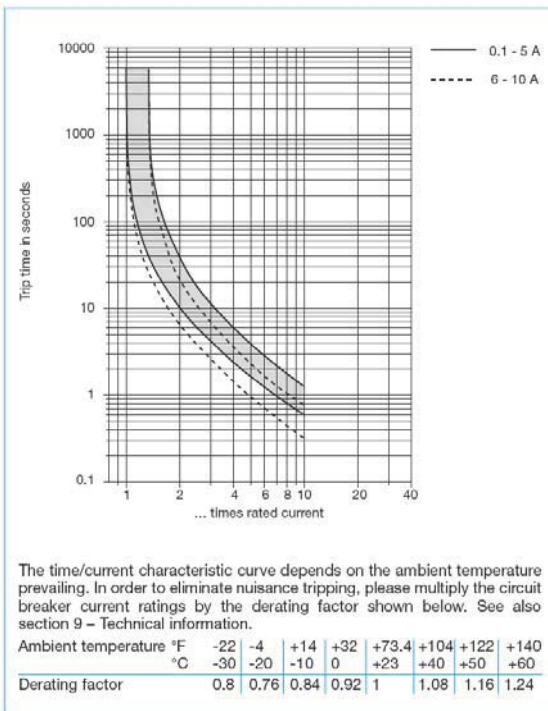
Voltage rating	250VAC – 72VDC
Current ratings	10 A

TECHNICAL DRAWINGS



TIME/CURRENT CHARACTERISTIC CURVE

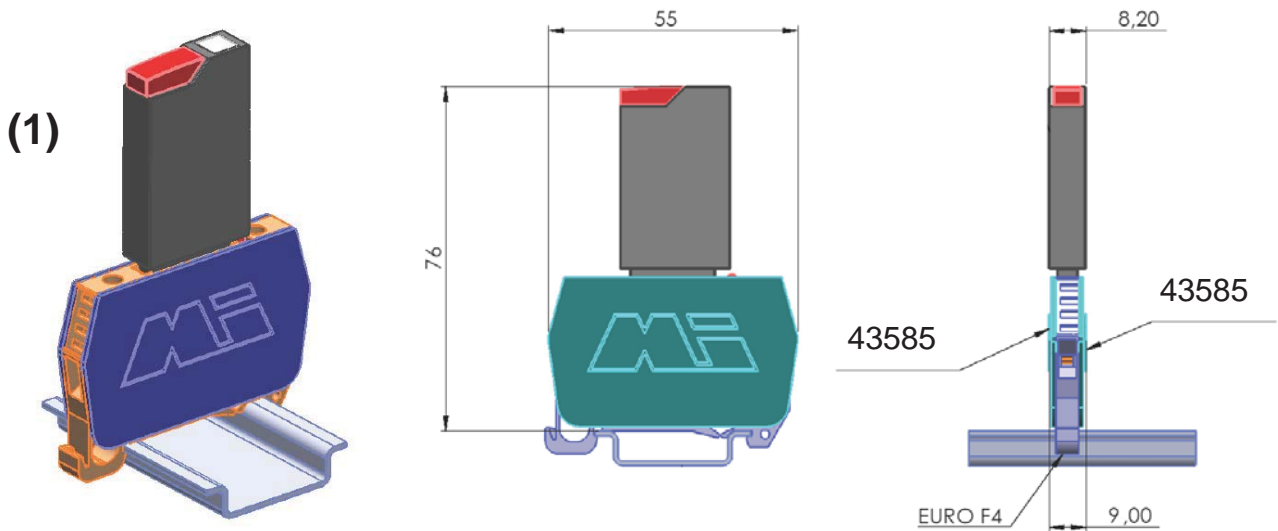
INTERNAL CONNECTION DIAGRAMS



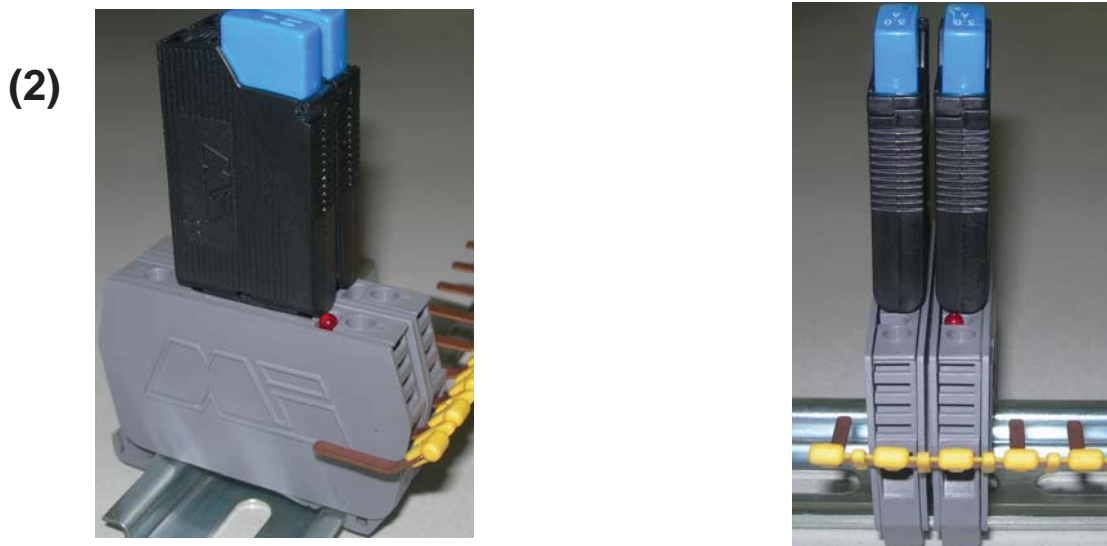
Note: When several devices are mounted together, each device should only carry 80 % of its rating or it must be overrated accordingly.

TERMINAL BLOCK EURO F4 SERIES APPLICATION

(1) how to add 2 spacers – 43585



(2) how to use Outer Jumper bar EURO JB910 – 43509/12



ACCESSORIES

Item code	Description
4358000	EURO F2,5 universal flat type fuse holder – screw version
4358001	EURO F2,5 universal flat type fuse holder/LED12 – screw version
4358002	EURO F2,5 universal flat type fuse holder/LED24 – screw version
4358100	EURO F4 universal flat type fuse holder – screw version
4358101	EURO F4 universal flat type fuse holder/LED12 – screw version
4358102	EURO F4 universal flat type fuse holder/LED24 – screw version
4358200	EURO F4 universal flat type fuse holder – screw version – new style
4358201	EURO F4 universal flat type fuse holder/LED12V-screwless version-new style
4358202	EURO F4 universal flat type fuse holder/LED24V-screwless version-new style
4258000	EURO F2,5 universal flat type fuse holder - screwless version
4258001	EURO F2,5 universal flat type fuse holder/LED12 - screwless version
4258002	EURO F2,5 universal flat type fuse holder/LED24 - screwless version
4258100	EURO F4 universal flat type fuse holder - screwless version
4258101	EURO F4 universal flat type fuse holder/LED12 - screwless version
4258102	EURO F4 universal flat type fuse holder/LED24 - screwless version
4258200	EURO F4 universal flat type fuse holder - screwless version - newstyle
4258201	EURO F4 universal flat type fuse holder/LED12V-screwless version-new style
4258202	EURO F4 universal flat type fuse holder/LED24V-screwless version-new style
43584	END PLATE for EURO F2,5 and EURO F4 "MI"
4358401	END PLATE for EURO F2,5 and EURO F4 "MI" new style "MINIFUSE"
43585	SEPARATOR for EURO F2,5 and EURO F4 "MI"
4358501	SEPARATOR for EURO F2,5 and EURO F4 "neutro"

GOGATEC GmbH
A-1220 Wien, Wagramer Straße 252
Tel.: +43 1 258 3 257-0 Fax - 17
info@gogatec.com www.gogatec.com

technische Änderungen vorbehalten

